

Capillary Drop Kit

For Discrete Aspirating System Sampling Points

- Use with False or Drop Ceilings
- Complete Capillary Drop Assembly
- Plenum Rated

PRO Series

Cut Sheet

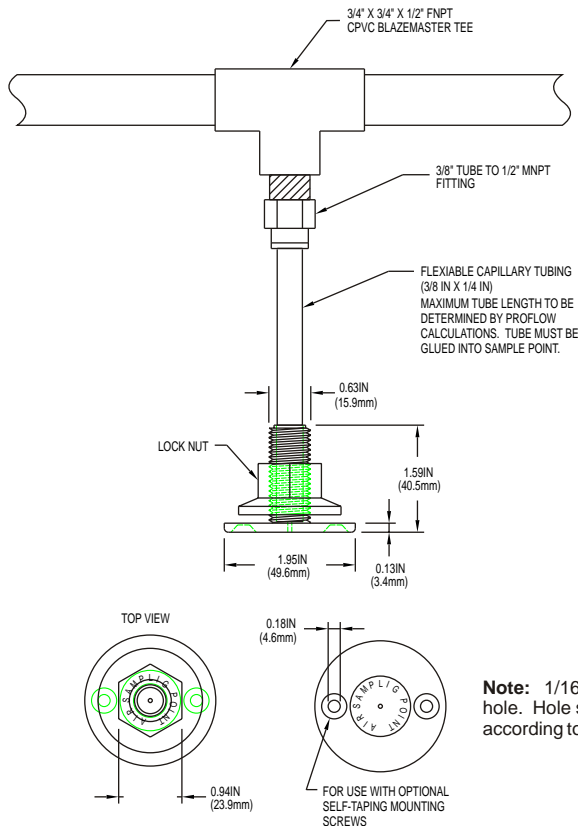
Part Number: CK10710

Description

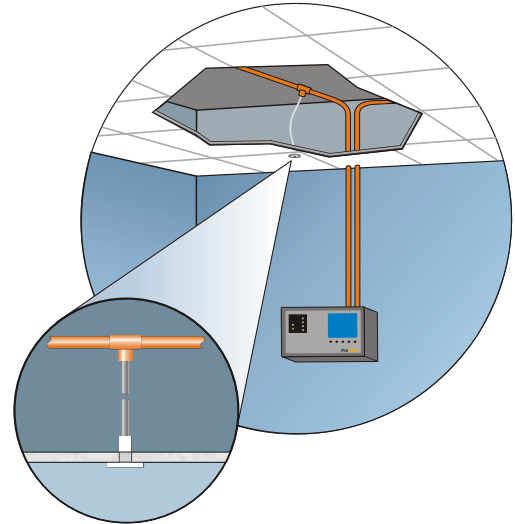
Capillary Drops may be used with any aspirating system pipe design to sample through a false or drop ceiling or in remote areas.

Each Capillary Drop assembly includes a plenum rated Tee fitting, and 15 feet of plenum rated tubing making it ideal for any installation. Each Capillary Drop Kits contain 10 complete individual Capillary Drops including sample points and labels.

Details



Note: 1/16" (.0625") pre-drilled hole. Hole size may be increased according to flow calculations only.



Capillary Tube Specifications

Rating:	Plenum
Tube OD:	0.375"
Tube ID:	0.250"
Wall Thickness:	0.062"
Net Weight:	2.90 lbs./100'
Minimum Bend Radius:	1.5"
Flammability:	V-2, NFPA 90A
Polyethylene Classification:	Type 1, Class C, Category 4

Note: Please refer to all federal, state and local codes, and manufacturer's recommendations prior to design or installation. All systems must meet NFPA requirements and be designed using the manufacturer's calculation software.



SAFE Fire Detection, Inc.
5915 Stockbridge Drive
Monroe, NC 28110
Phone: 704-821-7920
Fax: 704-821-4327
www.safefiredetection.com

This document is provided for informational purposes only and may not be reproduced in whole or part without express written permission from SAFE Fire Detection, Inc. SAFE Fire Detection, Inc. assumes no responsibility for the products suitability for a particular application. Specifications, designs and any information contained herein may change without notice.

Publication Number: CK10710 v1.3

©2009 SAFE Fire Detection, Inc.