

# ProRemote RDP™

## Remote Display and Programmer

- Network Hub
- Host for Easy Programming
- Display and Alarm

# PRO Series™

## Cut Sheet

Part Number: 6198629

### Features

- Large easy to read LCD display
- Multifunction control buttons
- Built-In sounder for alarm notification
- Network “Silence” and “Reset” buttons
- Display custom detector, alarm, and zone text
- Remote programmer for single or multiple detectors
- Display event logs, real time and historic graphs
- Durable, tamper proof metal enclosure



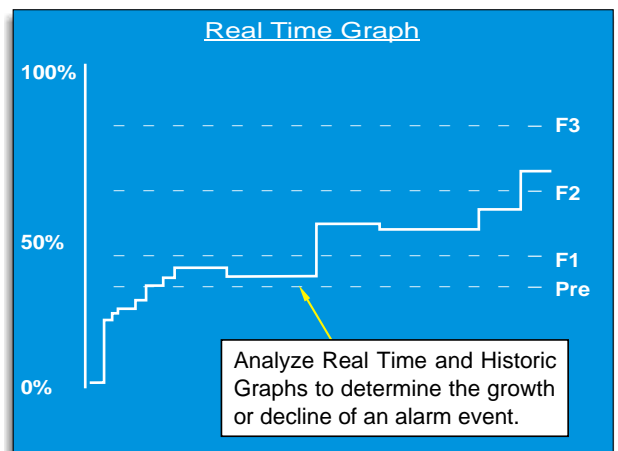
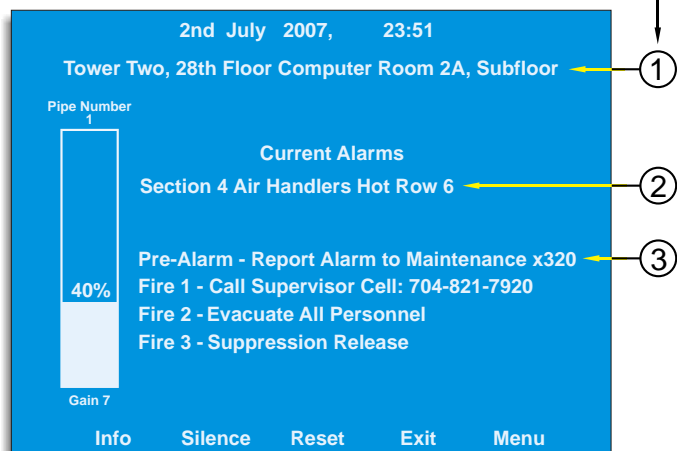
### Description

The ProRemote is a remote LCD graphic display which may be used to easily program, troubleshoot, check status, view realtime and historical graphs and event logs, and provide alarm notification for any unit on the network. The multifunction display features easy to navigate menus with customizable text for naming detectors, zones, alarm levels and even list specific instructions for personnel. Contact information for service companies may be displayed directly on the LCD display to help prevent servicing of equipment by unauthorized or untrained personnel.

### Applications

A ProRemote display can be used as a network hub, host, or simply used to monitor each detector on its loop. As a network hub, the ProRemote can be used to easily program any detector on the loop via the large LCD display. As a remote display, the ProRemote can monitor the status of each detector on the loop, notify of an alarm condition and display a fault status, without access to any programming features. This makes the ProRemote ideal for remote placement to display system status in security, office, or maintenance areas.

- Custom Text:**
1. Pin-point the detector by exact location or name.
  2. Identify each zone by exact location or detail.
  3. Provide specific instructions for your personnel to follow at each level of alarm.



## Peer to Peer Networking

A ProRemote display can act as an RS485 network hub to provide easy programming, display and alarm notification without the need of any special software or extra equipment. The ProRemote may be implemented as either a programming display device or used as a display only. An RS485 network can accommodate a maximum of 32 detectors and 32 displays.

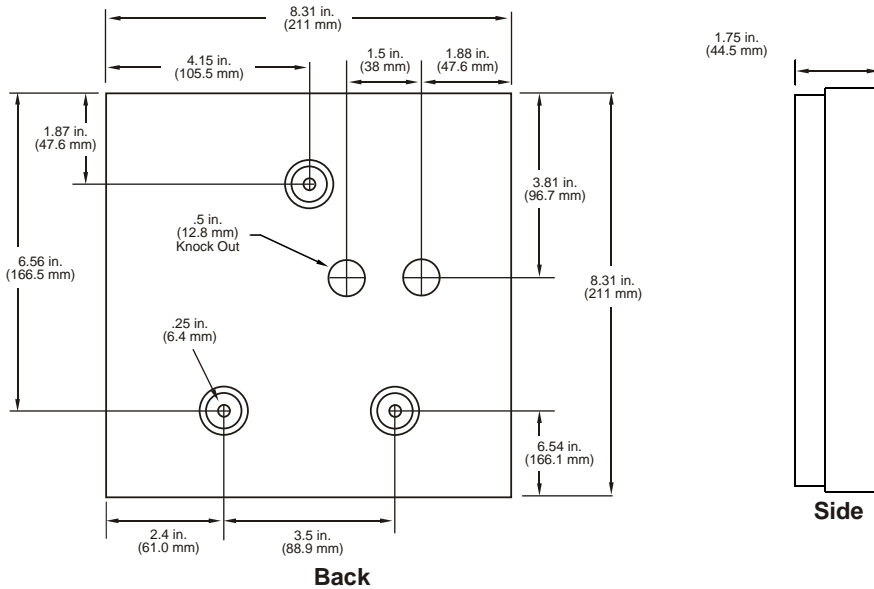
A standard, shielded twisted pair, network cable such as Belden 9841 is recommended for all network connections.

### Remote Display

A Remote Display may be placed in areas which are populated after hours such as guard stations or office areas.



## Details



## Specifications - ProRemote Part #: 6198629

Current Draw:	85 mA @ 24VDC
Dimensions:	8.31" x 8.31" x 1.75"
Weight:	3 lbs. (1.36 Kg)
Operating Temperature:	32° - 130°F (0 - 54°C)
Humidity:	0-95% RH, non-condensing
LCD Display Size:	3.5" x 4.5"

**Note:** Please refer to all federal, state and local codes, and manufacturer's recommendations prior to design or installation.



SAFE Fire Detection, Inc.  
 5915 Stockbridge Drive  
 Monroe, NC 28110  
 Phone: 704-821-7920  
 Fax: 704-821-4327  
 www.safefiredetection.com

This document is provided for informational purposes only and may not be reproduced in whole or part without express written permission from SAFE Fire Detection, Inc. SAFE Fire Detection, Inc. assumes no responsibility for the products suitability for a particular application. Specifications, designs and any information contained herein may change without notice.

Publication Number: 6198629 v1.3

©2009 SAFE Fire Detection, Inc.