

Heavy Duty Enclosures

Junction and ELR Boxes

THERMO LHD Cable™

- For Connecting ThermoCable to Leader Wire and End of Line Resistor
- Large Rugged Enclosure for Heavy Duty and Special Applications

Cut Sheet

Part Number: TC1002

Description

The HDJ/HDELR Box is a heavy duty nonmetallic junction and termination box which is UL listed with a NEMA 4X rating and manufactured from PVC or PPO thermoplastic. A foam-in-place gasketed lids attaches with stainless steel screws. All junction and termination boxes must use a Strain Relief Connector (Part #: TC100) for all ThermoCable penetrations made through the enclosure wall. A 7/8" (22.2mm) hole is required to insert the Strain Relief Connector which secures and prevents damage to the ThermoCable, and seals the penetration from moisture and dirt helping prevent corrosion.

The HDJ/HDELR Box requires a Screw Terminal (Part #: TC1005X) for connecting the leader wire from the panel to the beginning of the ThermoCable run. Screw Terminals are also used to securely connect the ThermoCable to the end of line resistor located at the end of the ThermoCable run.

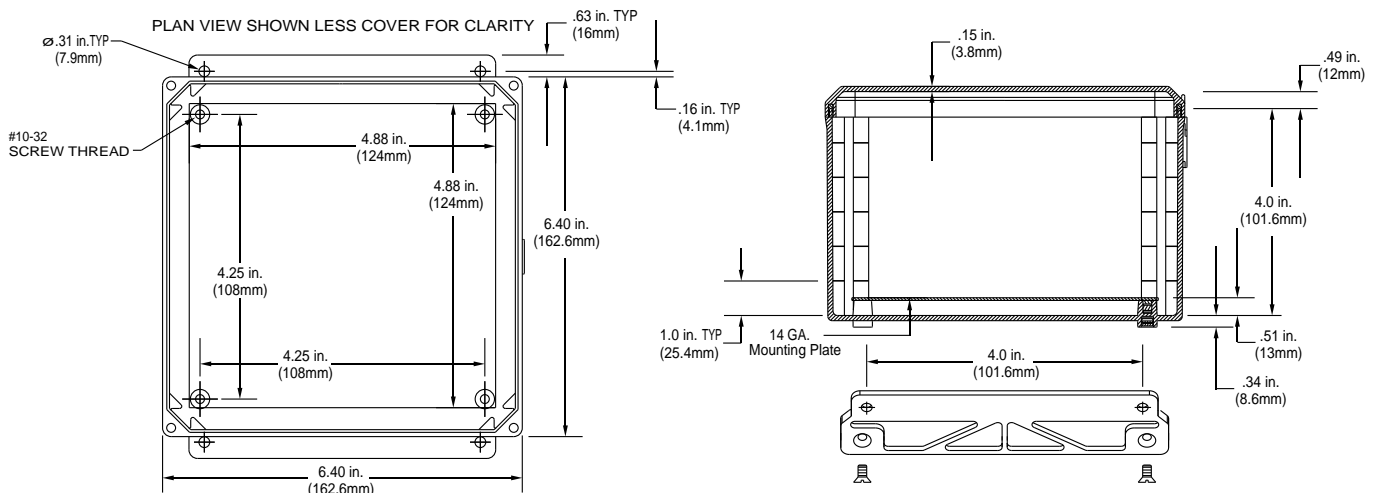
HDJ/HDELR Boxes are also used as the enclosure for an optional test button at the end of the ThermoCable run or for mounting intrinsic safety barriers. The optional test switch can be used for annual system testing. Test buttons are not recommended for systems connected directly to a suppression system. For details, please refer to the ThermoCable Test Switch cut sheet. Intrinsic safety barriers are used for explosion proof hazard applications. For details, please refer to the ThermoCable Intrinsic Safety Barrier cut sheet.



Applications

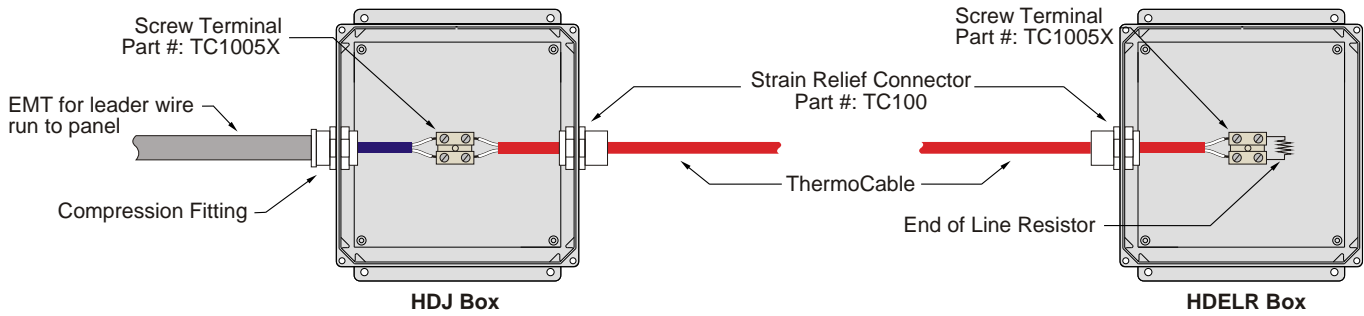
The heavy duty HDJ/HDELR Box is used for industrial applications and is suitable for outdoor ThermoCable splices. The larger enclosure is also used for housing addressable zone modules when connected to an addressable system, intrinsic safety barriers for explosion proof installations, or end of line test buttons for easy system inspection.

Details



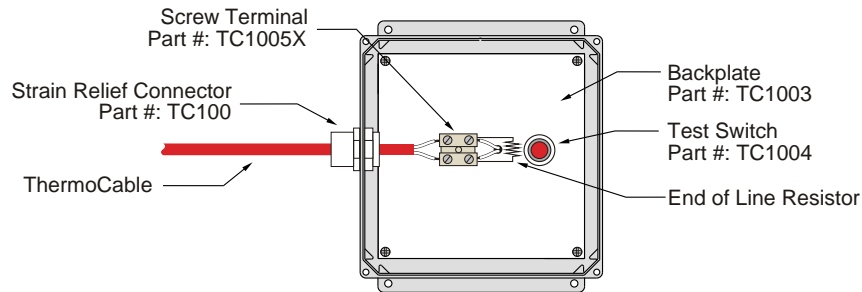
Installation Examples for HDJ / HDELRL Boxes

Typical ThermoCable Example



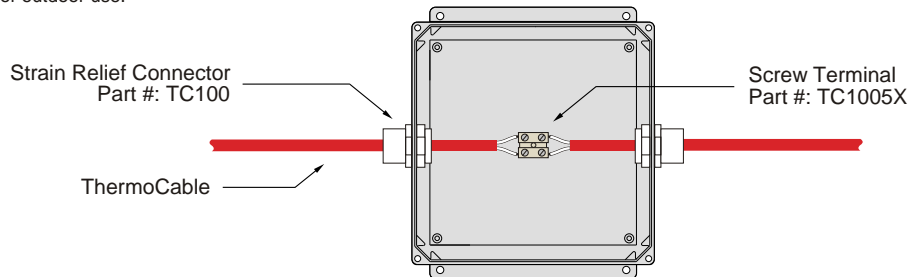
End of Line Test Switch (Optional)

Please refer to the ThermoCable Test Switch Cut Sheet for additional details.
Not recommended for systems connected directly to a suppression system.



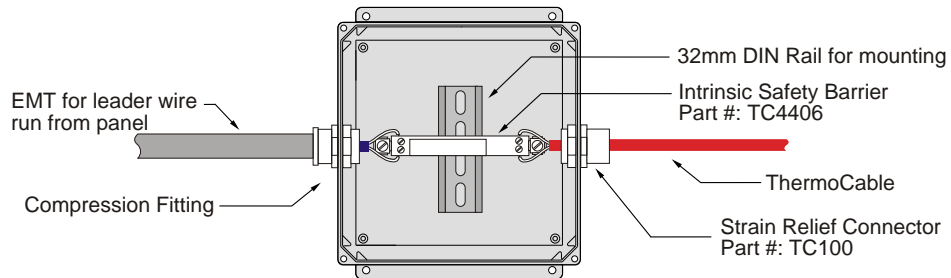
Splicing Box

NEMA 4 rated enclosure for outdoor use.



Intrinsic Safety Barrier

Please refer to the Intrinsic Safety Barrier Cut Sheet for additional details.



Note: Please refer to all federal, state and local codes, and manufacturer's recommendations prior to design or installation.



SAFE Fire Detection, Inc.
5915 Stockbridge Drive
Monroe, NC 28110
Phone: 704-821-7920
Fax: 704-821-4327
www.safefiredetection.com

This document is provided for informational purposes only and may not be reproduced in whole or part without express written permission from SAFE Fire Detection, Inc. SAFE Fire Detection, Inc. assumes no responsibility for the products suitability for a particular application. Specifications, designs and any information contained herein may change without notice.

Publication Number: TC1002 v 1.3

©2009 SAFE Fire Detection, Inc.