

Standard Enclosures

Junction and ELR Boxes

THERMO LHD Cable™

- For Connecting ThermoCable to Leader Wire and End of Line Resistor
- Recommended for All Outdoor Splices

Cut Sheet

Part Number: TC1000

Description

The J/ELR Box is a nonmetallic junction and termination box which is UL listed with a NEMA 4X rating and manufactured from PVC or PPO thermoplastic. A foam-in-place gasketed lids attaches with stainless steel screws. All junction and termination boxes must use a Strain Relief Connector (Part #: TC100) for all ThermoCable penetrations made through the enclosure wall. A 7/8" (22.2mm) hole is required to insert the Strain Relief Connector which secures and prevents damage to the ThermoCable, and seals the penetration from moisture and dirt helping prevent corrosion.

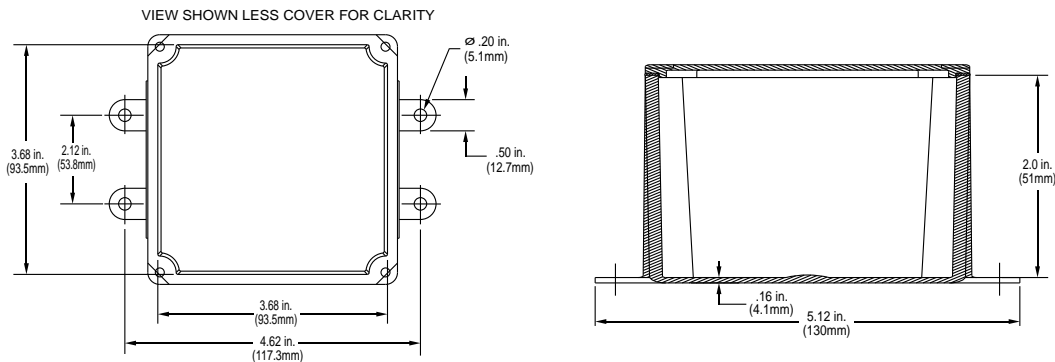
The J/ELR Box requires a Screw Terminal (Part #: TC1005X) for connecting the leader wire from the panel to the beginning of the ThermoCable run. Screw Terminals are also used to securely connect the ThermoCable to the end of line resistor located at the end of the ThermoCable run.



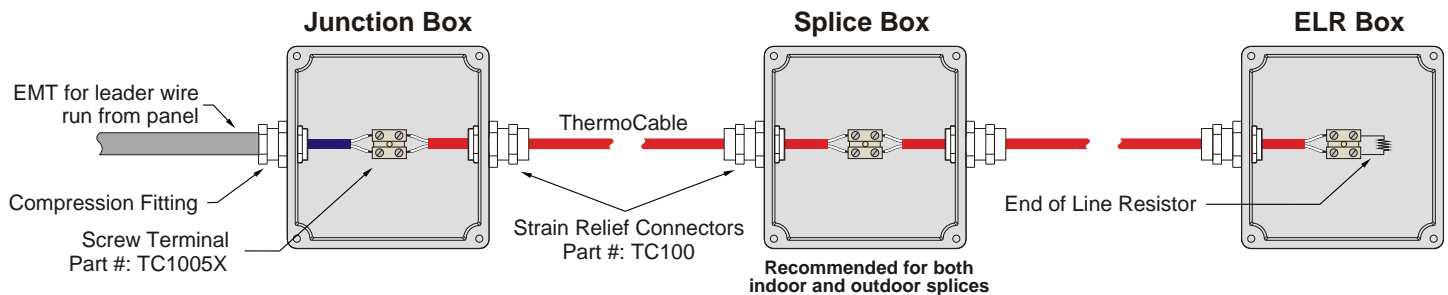
Applications

The J/ELR Box is used for typical applications. It houses the connection of the leader wire to the ThermoCable, and at the end of the detection wire run where the end of line resistor connection is made. The J/ELR Box is also suitable for outdoor splices.

Details



Typical J/ELR Box Applications



Note: Please refer to all federal, state and local codes, and manufacturers recommendations prior to design or installation.



SAFE Fire Detection, Inc.
5915 Stockbridge Drive
Monroe, NC 28110
Phone: 704-821-7920
Fax: 704-821-4327
www.safefiredetection.com

This document is provided for informational purposes only and may not be reproduced in whole or part without express written permission from SAFE Fire Detection, Inc. SAFE Fire Detection, Inc. assumes no responsibility for the products suitability for a particular application. Specifications, designs and any information contained herein may change without notice.

Publication Number: TC1000 v1.3

©2009 SAFE Fire Detection, Inc.