

Test Switch

Linear Heat Detection System Testing

- For Easy Annual System Testing
- NFPA Approved Testing Method

ThermoCable

LHD

Cut Sheet

Part Number: TC1003

Description

Test Switches are placed at the end of a ThermoCable run and are to be used for commissioning, system inspections, and testing of the system.



Test Switches are not recommended for systems connected directly to a suppression system.

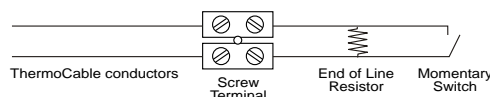
Components

The components required for the End of Line Test Switch include the following:

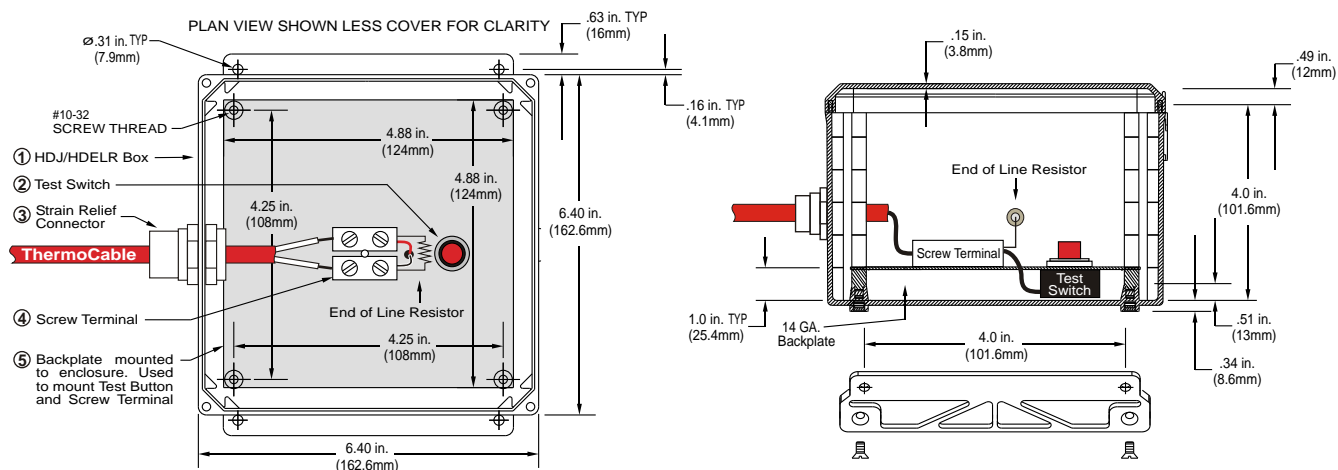
1. **HDJ/HDELR Box** (Part #: TC1003)
Enclosure for components
2. **Test Switch** (Part #: TC1004)
Momentary switch for system testing
3. **Strain Relief Connector** (Part #: TC100)
Seals penetration of ThermoCable into enclosure
4. **Screw Terminal** (Part #: TC1005X)
For securing wire connections
5. **Backplate** (Part #: TC1003)
For mounting test switch and screw terminal



Wiring Configuration



Details



Note: Please refer to all federal, state and local codes, and manufacturer's recommendations prior to design or installation.



SAFE Fire Detection, Inc.
5915 Stockbridge Drive
Monroe, NC 28110
Phone: 704-821-7920
Fax: 704-821-4327
www.safefiredetection.com

This document is provided for informational purposes only and may not be reproduced in whole or part without express written permission from SAFE Fire Detection, Inc. SAFE Fire Detection, Inc. assumes no responsibility for the products suitability for a particular application. Specifications, designs and any information contained herein may change without notice.

Publication Number: TC1003 v1.3

©2009 SAFE Fire Detection, Inc.